



FONDERIES OHANNES KASSARDJIAN S.A.L.

Leading Foundries in the Middle East since 1939





FONDERIES OHANNES KASSARDJIAN S.A.L.

Leading Foundries in the Middle East
Since 1939



History

In the year 1939 was established in Lebanon the first Foundry of the Middle East specializing in the manufacture of Brass, Gunmetal & Cast Iron Products used for water.

Since then the trade mark OK that refers to the first initials of the Founder, Mr. Ohannes Kassardjian, has been a symbol of high quality and reliability.

This Company has gathered the means of success throughout the years of its long existence :

- Up to date equipments and means of production.
- High level of Technology and Experience.
- Managerial skills and Development Research capabilities.
- Honorability and security in performance.

Following its inception, the Company has developed into one of the major foundries in the Middle East, constantly striving to enhance its technical know-how and to develop its production facilities with the major concern of supplying quality products to the Water Authorities and Contractors.



Manufacturing Division of Gunmetal and Brass Fittings for House Potable Water Service Connections

Contents

1• Swivel Ferrules

- Standard Pattern Swivel Ferrule
- Screw Down Pattern Swivel Ferrule
- Self Tapping Ferrule Straps

2• Flat Boss Saddle Straps

to suit:

- Asbestos Cement Pipes
- PE Pipes
- Ductile Iron Pipes
- PVC Pipes
- GRE Pipes
- Steel Pipes

3• Valves and Stopcocks

4• Gunmetal Fittings

- Male Adaptor
- Female Adaptor
- Elbow
- Coupler
- Fittings
- Bi-metallic Flange

5• Fittings and Valves for Copper Pipes

- "OK" Brass Compression Fittings Type 'A' for Copper Pipes
- "OK" Gunmetal Compression Fittings and Valves Type 'B' for Copper Pipes

6• Products Reference

7• Certificates





1• Swivel Ferrules



1 | SWIVEL FERRULES

The OK FOUNDRIES® Swivel Ferrule provides a quick, permanent, leak free service connection, consisting of a stem with an inner plug for valve isolation and a 360° swivel outlet at 90° to the stem.

The ferrule outlet provides a direct connection to the service line from 1/2" to 2" nominal bore diameter (20mm to 63mm PE pipe OD) via an integral joint in the ferrule banjo, so no adaptor is needed.

The ferrule will provide service connections dry or under pressure directly into cast iron, ductile iron and steel mains. Asbestos cement, PVC, PE and GRP mains can also be tapped via the Flat Boss Strap.

Ferrules should not be inserted directly into PVC or AC mains. The wall of these pipes is not strong enough to hold the stem.

The manufacturers of ductile iron and steel main pipe should be consulted for their specific recommendations regarding tapping directly into these pipe materials. Typically it is advised that the nominal diameter of the tapping should not exceed 1/4 of the nominal diameter of the main for direct ferrule insertion without a strap or 1/3 of the nominal diameter when the strap is used. For tapplings larger than this a Tapping Tee should be used.

- **Quick and simple to install**

Quick, permanent, leak free connection provided by a tried and tested design.

- **Extensive range**

The range has been developed to enable the user in making connections to almost any type of mains and service pipe, either under pressure or dry.

- **Robust and long lasting**

Ferrules provide years of service in even the most aggressive soil conditions.

- **Reliable and leak free**

Specifically designed to operate at pressures up to 18 bar subject to the ratings of pipe and strap if used.



■ The pushfit joint for PE pipe shall consist of the following:
Grip ring and 'O' ring

| Standard Pattern Swivel Balancing Ferrule |

- **General**

The ferrules are designed with a pushfit or compression outlet for PE pipe. All ferrules are designed as a main stem with a 360° swivel outlet at 90° with control of water flow via a threaded inner plug. The inlet is male taper thread to BS 21 (ISO 7/1). The ferrule is designed for use underground and to handle potable water at temperature of up to 85°C. The ferrule works at pressures up to 18 bar (270 psi) without leakage.

- **Description of Design**

The design of the ferrule permits service pipe installations via conventional drilling and tapping machines, under pressure or dry, with or without service saddles. The design of the ferrule further permit use with conventional drilling machines mounted onto the ferrule/strap assembly to drill the main via the ferrule stem, dry or under pressure.



■ Standard pattern Swivel Balancing Ferrule - Push-fit type



■ Screwdown Pattern Swivel Ferrule - Compression type



■ The compression for PE pipe shall consist of the following: A serrated copper insert, a friction washer, a compression gland and a thrust nut

Gunmetal Swivel Ferrules - Screwdown & Standard Types

Inlet Size	Outlet Size				
	20mm	25mm	32mm	50mm	63mm
1/2"	✓	✓			
3/4"	✓	✓			
1"			✓		
1.1/2"				✓	
2"				✓	✓

• **Construction**

The ferrule stem, banjo, inner plug and top cap are manufactured of gunmetal/bronze to BS 1400 LG2. The banjo washers and the top cap washer are manufactured in EPDM rubber to BS 2494 (WRAS approved).

| Screwdown Pattern Swivel Ferrule |

• **General**

The ferrules are designed with a Push Fit or Compression outlet for PE pipe. All ferrules are designed as a main stem with a 360° swivel outlet at 90° with control of water flow via a threaded inner plug. The inlet is a male taper thread to BS 21 (ISO 7/1). The ferrule is designed for use underground and to handle potable water of up to 85° C. The ferrule is capable of working at pressures up to 18 bar (270 psi) without leakage. The ferrule is easily "shut off" by means of a spindle extending from the top cap.

• **Description of Design**

The design of the ferrule permits service pipe installation via conventional drilling and tapping machines dry or under pressure, with or without service saddles. The design of the ferrule further permits use with conventional drilling machines mounted onto the ferrule/strap assembly to drill the main via the ferrule stem, dry or under pressure.

• **Construction**

The ferrule stem, banjo, threaded spindle and top cap are manufactured of gunmetal/bronze to BS 1400 LG2. The banjo washers and the top cap washer are manufactured in EPDM rubber to BS 2494 (WRAS approved), the friction washer is made from polypropylene, the serrated insert is in copper C.106 to BS 1172 or BS 2871 part 2: 1972 "C".

• **Nominal Sizes**

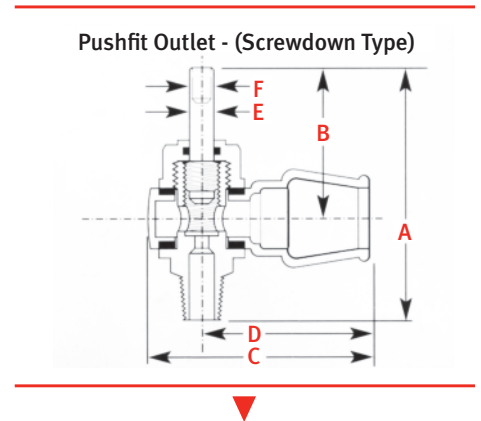
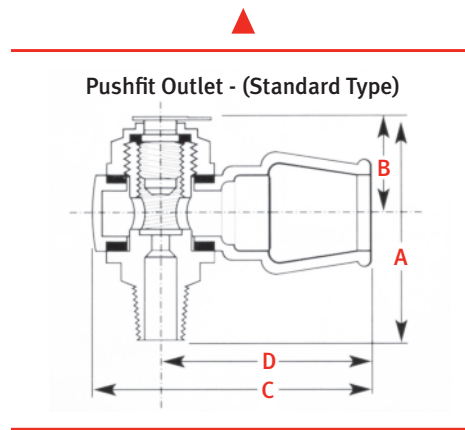
1/2", 3/4", 1", 1.1/4", 1.1/2" and 2".

Notes

- All materials used in the Swivel Ferrule are WRAS listed and have been selected to give the best possible overall performance.
- Ferrules are designed for use underground and for handling potable water at temperature of up to 85° C.
- Swivel Ferrules can be supplied in one of the following two versions:
 - a. With main stem with inner plug and spindle for valve isolation and a 360° swivel outlet at 90° to the stem (these are designated as Screw-down type), with control of water flow via the threaded inner plug.
 - b. With inner plug and top plug (without spindle) for valve isolation and a 360° swivel outlet at 90° to the axis of the inlet, with control of water flow via the turning of the threaded inner plug with a key (these designated as Standard-Pattern type).

Standard Pattern Swivel Ferrule Dimensions (in mm)

DN	1/2" (20mm)		3/4" (25mm)		1" (32mm)		1 1/2" (50mm)		2" (63mm)		1 1/2" x 2" (63mm)	
Outlet Type	Push Fit for PE	Compression for PE	Push Fit for PE	Compression for PE	Push Fit for PE	Compression for PE	Push Fit for PE	Compression for PE	Push Fit for PE	Compression for PE	Push Fit for PE	Compression for PE
A	86	86	82	82	94	94	106	106	120	120		106
B	38	38	38	38	44	44	50	50	48	48		50
C	88	75	100	87	122	95	195	150	219	159	219	138
D	61	52	79	62	94	67	154	110	172	112	172	97



Screwdown Pattern Swivel Ferrule Dimensions (in mm)

DN	1/2" (20mm)		3/4" (25mm)		1" (32mm)		1 1/2" (50mm)		2" (63mm)		1 1/2" x 2" (63mm)	
Outlet Type	Push Fit for PE	Compression for PE	Push Fit for PE	Compression for PE	Push Fit for PE	Compression for PE	Push Fit for PE	Compression for PE	Push Fit for PE	Compression for PE	Push Fit for PE	Compression for PE
A open	108	108	105	105	116	116	151	151	168	168		151
A closed	92	92	90	90	97	97	130	130	137	137		130
B open	58	58	58	58	65	65	93	93	100	100		93
B closed	42	42	42	42	46	46	72	72	70	70		72
C	88	75	100	87	122	95	195	150	219	159	219	138
D	61	52	79	62	94	67	154	110	172	112	172	97
E	11	11	11	11	16	16	22	22	25	25	25	25
F	10	10	10	10	12.7	12.7	19	19	19	19	19	19

| Self Tapping Ferrule Straps |

OK FOUNDRIES® Gunmetal Self Tapping Ferrule Straps for PE, PVC and AC pipe incorporate an integral ferrule with a self contained cutter, eliminating the need for drilling machines. Self Tapping Ferrule Straps are made from gunmetal bronze to BS 1400 LGL making the product durable and corrosion resistant. The Self Tapping Ferrule Strap also uses a specially designed cutter, which greatly reduces the risk of bursting a PVC main or creating a swarf blockage whilst cutting. The Self Tapping Ferrule Strap is capable of working at pressure up to 18 bar without leakage.



- **No Special Equipment or Controlled Conditions Needed**

The fitting has an integral cutter and requires only a spanner and standard ferrule key to install and carry out the drilling operation, dry or under pressure and in wet and congested trench conditions making it a viable alternative to electro fusion.

- **Integral Cutter**

The integral cutter is designed to greatly reduce the risk of fracturing pipe during the drilling procedure. Its design also reduces the chance of swarf blockage whilst tapping by retaining the polyethylene/PVC slug. The cutter also provides a shut off facility once the tapping has been made.

| Gunmetal Self Tapping Ferrule Straps |

Outlet Ø of the Pipe	Type of Pipe		Outlet Size				
	PE	PVC	20mm	25mm	32mm	50mm	63mm
63mm	✓	✓	✓	✓	✓		
90mm	✓	✓	✓	✓	✓		
110mm	✓	✓	✓	✓	✓	✓	✓
125mm	✓	✓	✓	✓	✓	✓	✓
160mm	✓	✓	✓	✓	✓	✓	✓
180mm	✓		✓	✓	✓	✓	✓
225mm	✓	✓	✓	✓	✓	✓	✓
280mm	✓		✓	✓	✓	✓	✓
315mm	✓		✓	✓	✓	✓	✓

Fig. 1

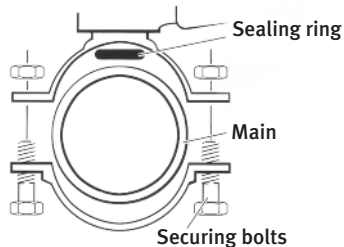


Fig. 2

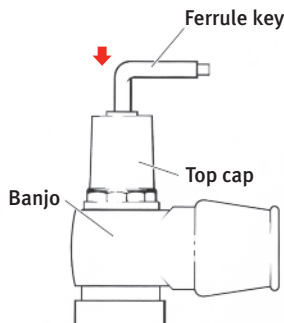


Fig. 3

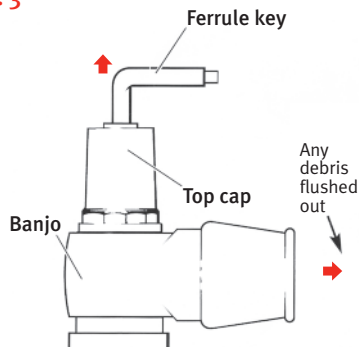
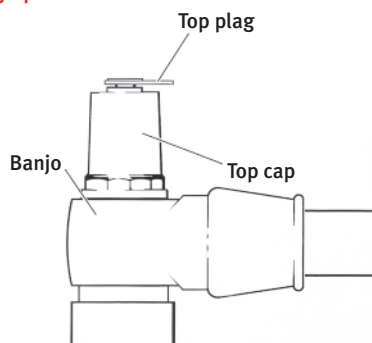


Fig. 4



• Installation Instruction For Self Tapping Ferrule Straps

The design of the Straps makes them very simple to use. For easy, trouble free installation the steps detailed below should be followed.

1. After selecting the correctly sized strap for the main, check that the cutter is retracted up into the stem and does not protrude through the bottom of the strap.
2. Fit the top half of the strap on the main ensuring that the sealing ring is correctly positioned between the main and the underside of the strap boss. (see Fig.1).
3. Remove the top plug and using the ferrule key, screw down the self tapping cutter/plug until it "bottoms" on the seat (see Fig.2). Do not over-tighten; a torque of no more than 10 Nm, 7.4 lb/ft is needed.
4. Wind the cutter/plug back to allow a small amount of water to go to waste to flush out any debris (see Fig.3).
5. Wind the cutter/plug back down onto its seat to seal off the connection (do not over tighten).
6. Connect the service pipe to the banjo.
7. Ensure the top cap is tightened down on to the banjo then wind the cutter/plug back to seal in the top cap (do not over tighten, a torque of no more than 6 Nm, 4.4 lb/ft is needed).

The connection is now made.

• Construction

- The self tapping Ferrule Straps are manufactured from gunmetal bronze to BS 1400 grade LG2 (BS EN 1982 grade CC49 1K).
- The sealing rings ('O' rings) are made in EPDM rubber that is WRAS certified for use in contact with potable water up to 85°C.
- The bolts and nuts are made in stainless steel to BS 1449 or ISO 3506 grade 316 (A4).





2• Flat Boss Saddle Straps



2 | FLAT BOSS SADDLE STRAPS



■ Flat Boss Strap

OK FOUNDRIES® Flat Boss Straps are designed for making service connections into PVC, asbestos cement pipes, cast iron and ductile iron pipes, PE and GRP pipes, steel pipes.

A ferrule can then be inserted into the main via the Strap Boss using drilling and tapping equipment whilst the main is pressurized or dry.

The Flat Boss Strap range provides maximum thread engagement into the boss of strap and tappings from 1/2" to 2" can be made into most Flat Boss Straps. Alternatively the strap can be pre-drilled and tapped and fitted with a ferrule prior to delivery for use on asbestos cement and PVC mains. The wall of the pipe is then simply drilled using under pressure drilling equipment.

Solid Flat Boss Straps can also be used as blanking straps for sealing existing holes in mains after removal of a ferrule.

- **Quick and simple to install**

Quick, permanent, leak free connection provided by a tried and tested design.

- **Extensive range**

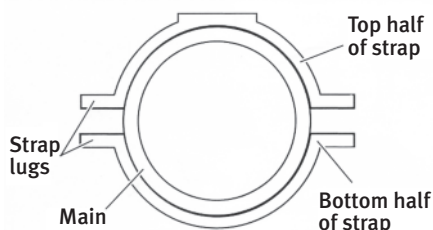
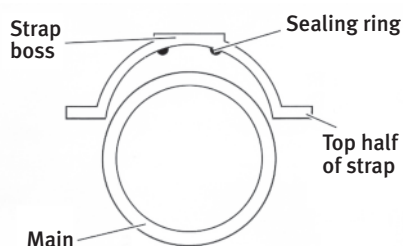
A range has been developed to enable user to make connections to almost any type of mains pipe, either under pressure or dry.

- **Robust and long lasting**

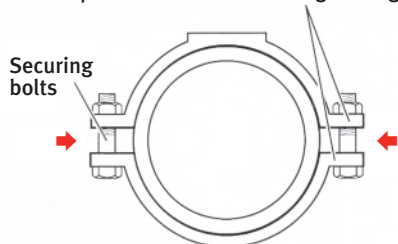
Flat Boss Straps are made from corrosion resistant materials (Gunmetal to BS 1400 LG2) to give years of trouble free service.

- **Reliable and leak free**

Provide maximum thread engagement for leak free connections suitable for a working pressure up to 20 bar (300 psi).



Keep the gaps between the lugs equal on each side when tightening



| Flat Boss Strap Assembly Instructions |

For easy trouble free installation the steps detailed should be followed:

1. Select the correct size and type of the strap for the main.
2. Place the sealing ring in the groove in the underside of the strap boss (many straps are supplied with the sealing ring pre-bonded into position making assembly even easier and position the upper half of the strap on the main ensuring that the sealing ring remains snug in the groove.
3. Locate the bottom of the strap under the main below the top half of the strap.
4. Using the two nuts and bolts provided bolt the two halves together ensuring the bolts point upwards. Finger tighten the bolts evenly, keeping the gaps between the lugs equal on each side.
5. Check that the strap sits squarely on the main then hand tighten each nut. Tighten each nut a further two and a half turns or to a torque setting of approximately 10 lb/ft (13.6 Nm).

The strap is now secured to the main.



■ Flat Boss Strap

Notes

- OK FOUNDRIES® recommend the use of a strap on ductile iron pipes below 12" (300mm) in diameter as the wall thickness is generally less than that of cast iron pipes and insufficient to tap directly without risking the threads stripping.
- Always ensure that the correct type and size of strap is used for the main.
- Always use a strap on asbestos cement, PVC and PE mains.
- Always have the strap pre-drilled by OK FOUNDRIES® if the service valve size is known. This will make the tapping on the connection easier on site.
- Always take care when fitting the strap and ensure that the "O" ring or sealing ring is correctly in place under the boss of the strap.
- Never over tighten the bolts on the strap. This can cause damage to the lugs or leaks to occur due to distortions in the pipe.
- Never attempt to cut the same size thread into existing, pre-drilled and tapped straps. Cutting the new thread will damage the old one.

| Flat Boss Straps Technical Specifications |

Flat boss strap are of single band design, shaped to the pipe diameter to which is to be fitted.

All straps shall be in two parts, top and bottom, bolted at both sides, are fitted with a rubber sealing gasket, and available undrilled, pre-drilled with a 3/8" hole or drilled, and tapped for tapered internal pipe threads in accordance with ISO 7/1 and BS 21.

All straps accept ferrules up to 2" in size and are supplied with fully threaded bolts and nuts.

OK FOUNDRIES® straps are capable of withstanding a working pressure up to 20 bar (300 psi) without leaking.

• Description of Design

The design of the strap is suitable for use with PVC, AC, Steel, DI, CI, GRP and PE mains.

The design is suitable for use with conventional drilling and tapping machines that mount onto the strap assembly.

The design is suitable for use with standard pattern 360° swivel ferrules.

• Construction

The straps are manufactured from Gunmetal Bronze to BS 1400 grade LG2 (BS EN 1982 grade CC49 1K).

The sealing ring ('O'-ring) is in EPDM rubber that is WRAS certified for use in contact with potable water up to 85°C.

The bolts and nuts are made in stainless steel to BS 1449 or ISO 3506 grade 316 (A4).

- Saddles Straps are available from 63mm up to 500mm in diameter.
- All Straps are designed with a groove underneath the boss, into which the “O” ring seal fits.
- Upon specific request, Saddle Straps can be supplied with the boss tapped with female BSP taper threads to BS 21.
- Markings are engraved and/or cast. Saddle Straps are legibly marked with the OK FOUNDRIES® trademark and with the nominal size of the distribution main they are able to accommodate.
- Nominal sizes of Saddles (in Millimeters)
63, 80, 100, 125, 150, 200, 225, 250, 300, 350, 400, 450, 500.

| Gunmetal Flat Boss Straps |

Nominal Ø of the Pipe	Type of Pipe					Size of Tapping						
	in mm	DI	PE	PVC	GRE	AC	No Tapping	1/2"	3/4"	1"	1.1/2"	2"
60.2 - 64.2		✓	✓				✓	✓	✓	✓		
88 - 92			✓	✓			✓	✓	✓	✓	✓	✓
96 - 101						✓	✓	✓	✓	✓	✓	✓
110 - 118	✓	✓	✓	✓			✓	✓	✓	✓	✓	✓
122 - 130						✓	✓	✓	✓	✓	✓	✓
138 - 146	✓	✓	✓	✓			✓	✓	✓	✓	✓	✓
155 - 183	✓	✓	✓	✓		✓	✓	✓	✓	✓	✓	✓
165 - 173	✓	✓	✓	✓			✓	✓	✓	✓	✓	✓
177 - 185		✓	✓			✓	✓	✓	✓	✓	✓	✓
217 - 225	✓	✓	✓	✓			✓	✓	✓	✓	✓	✓
229 - 237						✓	✓	✓	✓	✓	✓	✓
238 - 246						✓	✓	✓	✓	✓	✓	✓
250 - 258		✓	✓				✓	✓	✓	✓	✓	✓
253 - 270						✓	✓	✓	✓	✓	✓	✓
268 - 276	✓		✓	✓			✓	✓	✓	✓	✓	✓
285 - 300						✓						
315 - 330	✓	✓	✓	✓			✓	✓	✓	✓	✓	✓
325 - 340	✓	✓	✓	✓			✓	✓	✓	✓	✓	✓
340 - 355						✓	✓	✓	✓	✓	✓	✓
345 - 360						✓	✓	✓	✓	✓	✓	✓
370 - 385						✓						
425 - 440	✓	✓	✓	✓			✓	✓	✓	✓	✓	✓
440 - 455						✓	✓	✓	✓	✓	✓	✓
505 - 520	✓						✓	✓	✓	✓	✓	✓
515 - 530						✓	✓	✓	✓	✓	✓	✓
530 - 545	✓						✓	✓	✓	✓	✓	✓

Standard Outside Pipe Diameter Guide Chart

Nominal Bore	Metric Plastic	Imperial Cast Iron and A C (turned end)			UVPC		ABS	Ductile Iron	GRP	Metric AC (turned end)		
		BS 1211 (up to & including 27" NB) BS 78, BS 486			BS 3505	BS 3506	BS 5391	BS 4772 DIN 28601 DIN 28602 DIN 28603 DIN 28605 EN 545	BS 5480	Class 15	Class 20	Class 25
	Metric PVC MO PVC PE Hep ₃ O	Class AB Only	Class CD Only	Non Standard								
25mm 1"	25				33.6	33.6	33.6					
32mm 1.25"	32				42.3	42.3	42.3					
40mm 1.5"	40	55.9	55.9 2.20	57.0 2.20	48.3	48.3	48.3	56.0 DIN28601				
50mm 2"	50	69.1 2.72	69.1 2.72		60.3	60.3	60.3	66.0 DIN28605				69.0
63mm	63											
65mm 2.5"	65	82.3 3.24	82.3 3.24	82.5 3.25	75.2	75.2		82.0 DIN28605				
75mm	75											
80mm 3"	80	95.5 3.76	95.5 3.76		88.9	88.9	88.9	98.0				96.0
90mm 3.5"	90											
100mm 4"	100	121.9 4.80	121.9 4.80		114.3	114.3	114.3	118.0				122.0
110mm	110											
125mm 5"	125	149.4 5.90	149.9 5.90		140.2	140.2		144.0 DIN28601/3				
140mm	140											
150mm 6"	150	177.3 6.98	177.3 6.98		168.3	168.3	168.3	170.0		177.0		177.0
160mm	160											
175mm 7"	175	204.7 8.06	204.7 8.06			193.7						
180mm	180											
200mm 8"	200	232.2 9.14	232.2 9.14		219.1	219.1	219.1	222.0	222.0	232.0	232.0	240.0
225mm 9"	225	259.1 10.20	259.1 10.20			244.5				259.0	259.0	268.0
250mm 10"	250	286.0 11.26	286.0 11.26		273.0	273.0		274.0	272.0	286.0	286.0	295.0
280mm	280											
300mm 12"	300	333.8 13.14	345.4 13.6		323.9	323.9		326.0	324.0	334.0	345.0	356.0
315mm	315											
350mm 14"	350	386.6 15.21	399.3 15.72		355.6	355.6		378.0	376.0	392.0	405.0	419.0
355mm	355											
375mm 15"	375	413.0 16.26	426.2 16.78									
400mm 16"	400	439.0 17.30	453.1 17.84		406.4	406.4		429.0	427.0	448.0	463.0	478.0
450mm 18"	450	492.3 19.38	506.9 19.96		457.0	457.0		480.0 (BS only)	478.0	498.0	515.0	432.0
500mm 20"	500	545.1 21.46	560.3 22.06		508.0	508.0		532.0	530.0	568.0	586.0	605.0
525mm 21"	525	571.5 22.50	587.2 23.12									
550mm 22"	550	597.9 23.54	613.7 24.16			559.0						
560mm	560											
600mm 24"	600	650.2 25.60	667.0 26.26		610.0	610.0		635.0	633.0	654.0	672.0	691.0



3• Valves and Stopcocks





■ Stopcock with Crutch Head



■ Stopcock with the Spindle Shielded



■ Stopcock with Square Head

3 | VALVES & STOPCOCKS

The range of Stopcocks consists of many individual types, all of which give excellent performance characteristics. The range is available with the following ends or a combination thereof:

- Ends with parallel female (BSP) threads that comply with the requirements of BS 2779 and BS 21.
- Pushfit-type ends for polyethylene pipes that comply with the requirements of BS 1972, BS 1973, BS 3284 and BS 3796.
- Compression-type ends for polyethylene pipes that comply with the requirements of BS 1972, BS 1973, BS 3284 and BS 3796.

The OK FOUNDRIES® Stopcocks, depending on the type of pipe for which they are designed, are suitable for the maximum working pressures and temperatures specified in the previous sections of this catalogue as applicable.

Stopcocks conform to the requirements of BS 1010: Part 2 and BS 5433.

They can be supplied in one of the following versions:

- With **Crutch Head**.
- With the **Spindle Shielded** so as to prevent unauthorized operation with a wrench, the spindle being of such size that it can be operated by a standard key operator and the shield being of sufficient depth so that when the valve is fully open, the spindle remains recessed in the shield to a depth of 5mm. The shield having two holes drilled opposite each other at its open end to allow insertion of a sealing wire. The Stopcock can be provided with a detachable key operator.
- With **Square Head** for T- key operation.

OK FOUNDRIES® Gunmetal Stopcocks are highly resistant to corrosion and provide years of service in even the most aggressive soil conditions.

Gunmetal Stopcocks are available in 20, 25, 32, 40, 50 and 63mm as well as their imperial equivalents: 1/2", 3/4", 1", 1.1/4", 1.1/2" and 2.

| Materials |

- All metallic components are in Gunmetal to BS 1400 LG2 cast.
- The sealing washer is in EPDM rubber that is WRAS certified for use in contact with potable water up to 85°C.
- The head seal "O" ring is in EPDM rubber that is WRAS-certified for use in contact with potable water up to 85°C.
- The gland packing material is in high tenacity polyacrylic yarn treated with PTFE and WRAS-certified for use with potable water up to 85°C. As well as, a washer can be fitted in EPDM rubber that is WRAS-certified for use with potable water up to 85°C.
- Other components in the outlet end socket, depending on the type of pipe, are in materials as specified in the relevant section in the preceding pages of this catalogue.



■ Stopcock with crutch head, double compression ends



■ Stopcock with crutch head, one end pushfit type and other threaded to BS 21



■ Stopcock with crutch head, double pushfit ends



■ Lockable brass valve with female threaded ends

| Threading |

- All threads are of Whitworth form and right-handed, and comply with the requirements of BS 1010: Part 2 and BS 5433.
- Inlet and outlet threads of stopcocks with BSP (parallel) female threaded ends comply with the requirements of BS 2779.

| Bore |

- The area of waterway throughout the valve body is not less than the area of a circle of diameter equal to the bore of the seating.

| Dimensions |

- Dimensions for valve bodies and components (including wall thickness and thickness of screwed ends) satisfy the dimensional requirements of BS 1010: Part 2 and BS 5433.

| Testing |

- Every stopcock is tested against leaking and sweating in the assembled condition both in the fully closed position (seat test) and in the fully open position (body test), by applying a hydraulic pressure of not less than 21 bar.

| Marking |

- Markings are engraved and/or cast. Each stopcock is legibly marked with the following:
 - a. OK® Foundries Trademark.
 - b. BS.
 - c. Nominal size.
 - d. Direction of flow.



4• Gunmetal Fittings





■ Gunmetal Male Adaptor - Pushfit Type



■ Gunmetal Male Adaptor - Compression Type



■ Gunmetal Female Adaptor

4 | GUNMETAL FITTINGS

Made from corrosion immune materials, OK FOUNDRIES® Gunmetal Fittings provides years of trouble free service in even the most arduous of ground conditions.

| Fittings Cover a Variety of Pipe Material and Size |

- Fittings for metric and imperial PE pipe, 20mm (1/2") to 63mm (2")
- Fittings for steel threaded pipe, 1/2" to 2" BSP.
- Fittings for copper pipe, 15mm to 54mm

When ordering fittings for PE pipes, it is necessary to state the British Standard number for the pipe together with the nominal size of the pipe stated in the said standard, and the class of the pipe, e.g. BS 1972, 1/2 class C.

OK FOUNDRIES® Pushfit Fittings for PE pipe are suitable for polyethylene pipes that comply with the requirements of BS 1972, BS 1973, BS 3284, BS 3796 and ISO 4427.

| Benefits |

- Ease and quickness of installation: the pipe is easily inserted into the grip ring and pass-through the rubber "O" ring that provides the seal.

| Sealing |

- Any pullout tensile action either by hand or as a result of the rise in water pressure, is resisted by the tightening of the "O" ring and the grip ring as both would be pushed down the taper of the fitting, thus increasing the sealing pressure against the pipe and body of the fitting.

| Strength |

- The joint and the fitting are tested to 48 bars, and the pipe will fail before either the connection or the fitting does.

| Standards |

- Pushfit joint meets the requirements of WIS No. 4-32-11, ISO 3458, ISO 3459, ISO 3501 and ISO 3503.

| Suitability |

- The fittings are suitable for the maximum working service pressures and temperatures specified for the pipes in BS 1972, BS 1973, BS 3284 or BS 3796 as applicable, namely 18 bar at 85°C.



■ Gunmetal Coupler Straight



■ Elbow, Gunmetal Meter Union



■ Gunmetal Fittings (equal tee, compression type for PE pipes)

| Materials |

- The fittings are in Gunmetal to BS 1400 LG2 cast.
- The “O” ring is in EPDM rubber that is WRAS-certified for use in contact with potable water up to 85°C.
- The grip ring is in Hostaform C13031® acetal copolymer material or equivalent.

| Compression Fittings for PE Pipe |

Including Poly Adapters, can be supplied in one of the following two versions, the only difference between the two versions being the size of the copper insert:

- Fittings for PE pipes to BS 1972 class “C”: these will also fit PE pipes to BS 1973 class “C”.
- Fittings for PE pipes to BS 3284 class “C”: these will also fit PE pipes to BS 3796 class “C” and four PE Pipes to ISO 4427.

| Benefits |

- Ease of installation: no need for special tools for making the joint.

| Sealing |

- Any pullout tensile action either by hand or as a result of the rise in water pressure, is resisted by compression of the rubber ring, thus retaining the pipe even more securely while maintaining a water-tight seal.

| Strength |

- The joint and the fitting are tested to 48 bars, and the pipe will fail before either the connection or the fitting does.

| Standards |

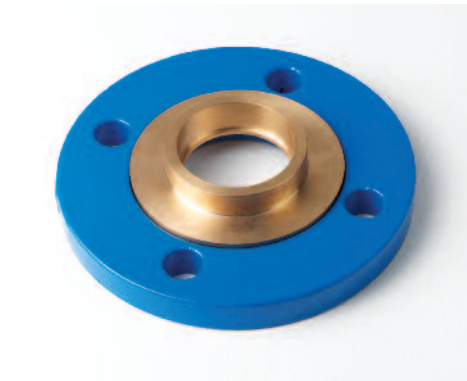
- Compression Fittings for PE pipe conform with the requirements of BS 864: Part 3 Type A. Compression joint for PE pipe meets the requirements of BS 5114, ISO 3458, ISO 3459, ISO 3501 and ISO 3503.

| Suitability |

- The fittings are suitable for the maximum working service pressures and temperatures specified for the pipes in BS 1972, BS 1973, BS 3284 or BS 3796 as applicable. Moreover, they are capable of working at a continuous pressure of 18 bars without leaking and a temperature of up to 85°C.



■ Copper Alloy Gauge



■ Bi Metallic Flange

| Materials |

- The fittings are in Gunmetal to BS 1400 LG2 cast.
- The thrust nuts are in Gunmetal to BS 1400 LG2 cast.
- The serrated insert is in copper C.106 to BS 1172 or BS 2871 part 2: 1972 "C".
- The compression washer is in EPDM rubber that is WRAS-certified for use in contact with potable water up to 85°C.
- The friction washer is in Polypropylene.
- The compression fitting can be used on either metric or imperial PE pipes from 20mm to 63mm in diameter.
- The extensive range of compression fittings covers the majority of operational requirements with stopcocks and ferrules also being available with the compression outlet.

| Range of Compression Fittings |

- Equal Connectors
- Reducing Connectors
- Male Threaded Adaptors
- Female Threaded Adaptors
- Equal Tees
- Un-equal Tees
- 90° Elbows
- Reducing Bushes

| Technical Data |

- Sizes: 20mm (1/2") to 63mm (2")
- Thread Types: BS 21 (ISO 7/1), (BS EN 10226), BS EN ISO 228, (BS 2779).



■ Pushfit connection



■ Compression connection

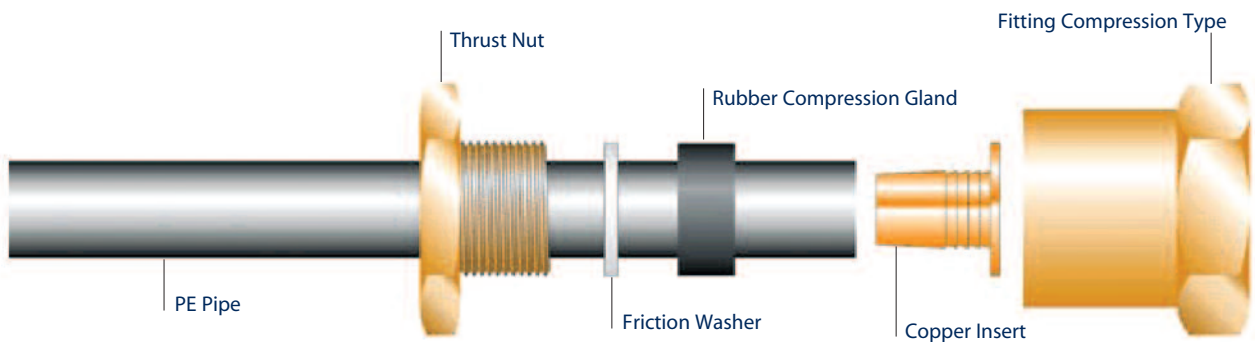
| Installation |

• Pushfit Connection

The end of the pipe should first be beveled and the pipe inserted fully into the fitting with a slight twist, while ensuring that it passes two points of resistance

• Compression Connection

- Ensure that the end of the pipe has a straight square face
- Insert the thrust nut (threads facing outwards), then the friction washer, then the rubber compression ring, into the pipe.
- Knock the copper insert into the pipe until its face touches the insert flange. This should be done with care so as not to damage the insert flange.
- Push the rubber compression ring and the friction washer against the insert flange and locate this assembly into the compression end of the fitting.
- Hand-tighten fully the thrust nut into the compression end of the fitting, then tighten it further about 1 1/2-to-2 turns using a spanner.



| Marking |

Markings are engraved and/or cast. Each fitting is legibly marked with the OK® trademark, the size of the fitting in either mm or inches (depending on client's requirements), and the nominal size of the PE pipe for which it is designed.



5• Fittings and Valves for Copper Pipes



5 | "OK" BRASS COMPRESSION FITTINGS - TYPE 'A' FOR COPPER PIPES



■ Long Adaptor



■ Long Adaptor



■ Cutting the tube



■ Tightening of the cap nut

| General Information |

- "OK" type 'A' non-manipulative standard compression fittings are manufactured in accordance with EN 1254:1998 (formerly BS 864-2) for use with copper tube to BS EN1057:1996 (formerly BS 2871: Part 1)

| Design |

- "OK" fittings are designed to comply with relevant Standards and to minimise flow restriction.
- The symmetrical compression ring provides a seal within the cone of the fitting and a two point seal on the tube.
- The compression ring is compressed between two differing tapers within cap nut and fitting respectively.

| Dimensions |

- From ½" up to 2"
From 15mm up to 54mm
- Material: Brass CZ122 to BS 2874 (CuZn40Pb2)
Or CW617N to EN 12165.

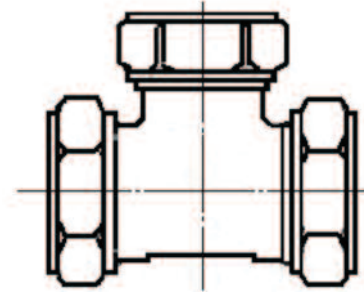
| Making a Joint |

- 1• Ensure that the tube and the fitting sizes are compatible. Cut the tube end square but ensure the tube retains its shape. The tube will then make even contact with the tube stop in the body of the fitting. The use of an appropriate tube cutter is recommended where practicable.
- 2• Remove any burrs from the tube, both inside and out.
- 3• Where necessary, insert a suitable tube liner.
- 4• One of two methods can be employed for making the joint.
 - a) The tube can be firmly inserted into the "OK" compression fitting without removing the cap nut and compression ring. Care should be taken to ensure that the compression ring is in the correct position and that the tube makes firm contact with the tube stop in the body of the fitting.
 - b) The cap nut and compression ring can be removed, located onto the tube in logical sequence, and the tube fully inserted into the "OK" compression fitting.
- 5• In both cases, tightening of the cap nut is effected by hand as far as possible, followed by the recommended minimum number of turns with a suitable spanner.

5 | "OK" BRASS COMPRESSION FITTINGS - TYPE 'A'

| Equal Tee, Compression Type 'A', Copper x Copper x Copper (CxCxC) |

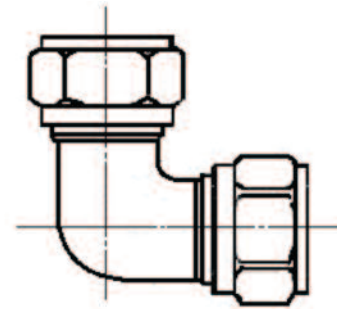
Size	
Inch	mm
1/2"	15mm x 15mm x 15mm
3/4"	22mm x 22mm x 22mm
1"	28mm x 28mm x 28mm
1.1/2"	42mm x 42mm x 42mm
2"	54mm x 54mm x 54mm



8000-C

| 90° Elbow, Compression Type 'A', Copper x Copper (CxC) |

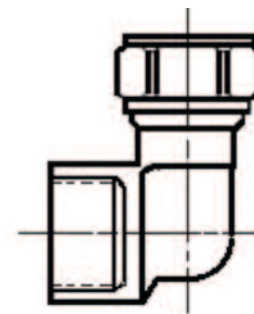
Size	
Inch	mm
1/2"	15mm x 15mm
3/4"	22mm x 22mm
1"	28mm x 28mm
1.1/2"	42mm x 42mm
2"	54mm x 54mm



8100-C

| 90° Female Elbow, Compression Type 'A', Female x Copper (FxC) |

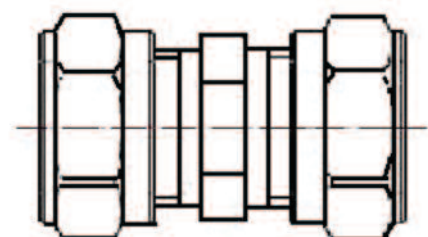
Size	
Inch	mm
1/2"	1/2" x 15mm
3/4"	3/4" x 22mm
1"	1" x 28mm
1.1/2"	1.1/2" x 42mm
2"	2" x 54mm



8100-FC

| Straight Coupling, Compression Type 'A', Female x Copper (FxC) |

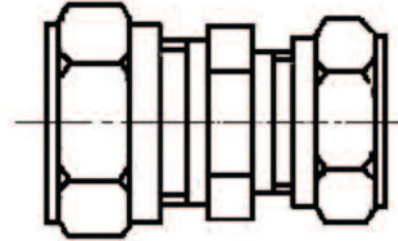
Size	
Inch	mm
1/2"	15mm x 15mm
3/4"	22mm x 22mm
1"	28mm x 28mm
1.1/2"	42mm x 42mm
2"	54mm x 54mm



8200-C

Straight Reducer Coupling, Compression Type 'A', Copper x Copper (CxC) |

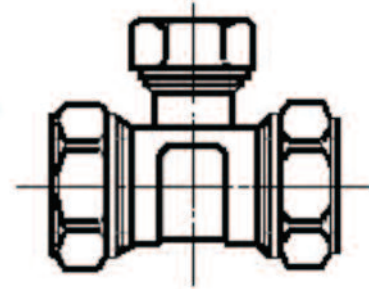
Size	
Inch	mm
3/4" x 1/2"	22mm x 15mm
1" x 1/2"	28mm x 15mm
1" x 3/4"	28mm x 22mm
1.1/2" x 3/4"	42mm x 22mm
1.1/2" x 1"	42mm x 28mm
2" x 1"	54mm x 28mm
2" x 1.1/2"	54mm x 42mm



8300-C

Unequal Tee, Compression Type 'A', Copper x Copper x Copper (CxCx) |

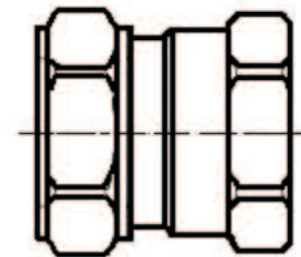
Size	
Inch	mm
3/4" x 1/2"	22mm x 22mm x 15mm
1/2" x 3/4"	15mm x 15mm x 22mm
1" x 1/2"	28mm x 28mm x 15mm
1" x 3/4"	28mm x 28mm x 22mm
1.1/2" x 1/2"	42mm x 42mm x 15mm
1.1/2" x 3/4"	42mm x 42mm x 22mm
1.1/2" x 1"	42mm x 42mm x 28mm
2" x 3/4"	54mm x 54mm x 22mm
2" x 1"	54mm x 54mm x 28mm
2" x 1.1/2"	54mm x 54mm x 42mm



8400-C

Female Coupling, Compression Type 'A', Female x Copper (FxC) |

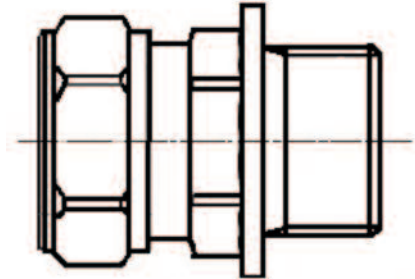
Size	
Inch	mm
1/2"	1/2" x 15mm
1/2"	1/2" x 22mm
3/4"	3/4" x 15mm
3/4"	3/4" x 22mm
1"	1" x 22mm
1"	1" x 28mm
1.1/2"	1.1/2" x 28mm
1.1/2"	1.1/2" x 42mm
2"	2" x 42mm
2"	2" x 54mm



8500-1

| Male Coupling, Compression Type 'A', Male x Copper (MxC) |

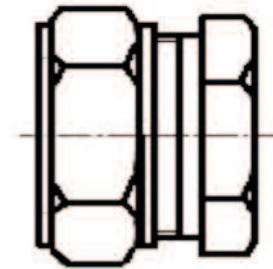
Size	
Inch	mm
1/2"	1/2" x 15mm
1/2"	1/2" x 22mm
3/4"	3/4" x 15mm
3/4"	3/4" x 22mm
1"	1" x 22mm
1"	1" x 28mm
1.1/2"	1.1/2" x 28mm
1.1/2"	1.1/2" x 42mm
2"	2" x 42mm
2"	2" x 54mm



8500-2

| End Cap, Compression Type 'A', Copper (C) |

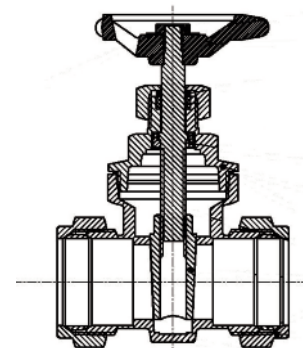
Size	
Inch	mm
1/2"	15mm
3/4"	22mm
1"	28mm
1.1/2"	42mm
2"	54mm



8950

| Brass Gate Valve, Compression Type 'A', Copper x Copper (CxC) |

Size	
Inch	mm
1/2"	15mm x 15mm
3/4"	22mm x 22mm
1"	28mm x 28mm
1.1/2"	42mm x 42mm
2"	54mm x 54mm



R47-CA

TYPE A COMPRESSION FITTINGS or non-manipulative fittings enable the installer to make a compression joint without carrying out any work on the tube ends other than ensuring that they are clean, burr free, and cut square.

5 | “OK” GUNMETAL COMPRESSION FITTINGS AND VALVES - TYPE ‘B’ FOR COPPER PIPES (Manipulative Type)



Technical Data |

- 1• Sizes:
 - a- From ½” up to 2”
 - b- From 15mm up to 54mm
- 2• Threads Type: BS 21 (ISO 7/1)
- 3• Suitability:

The Fittings are suitable for the maximum working service pressure and temperatures specified for the copper tubes to BS-2871, and are capable of working at a continuous pressure of 18 bars without leaking and a temperature of up to 85°C.

Ease for installation |

- “OK” Gunmetal Fittings, Compression Type ‘B’ to connect Copper Pipes, Manufactured in accordance with BS 864-2, Type ‘B’, manipulative type with 2 Locking Rings (Adaptor and Compensating Ring).

Material |

- The Body and The Compression Nuts are in Gunmetal to BS 1400 LG2 Cast (BS EN 1982 grade CC491K).
- The Locking Rings (Adaptor and Compensating Ring) are made of Brass Rod to BS 2874 CZ132 or CZ121.

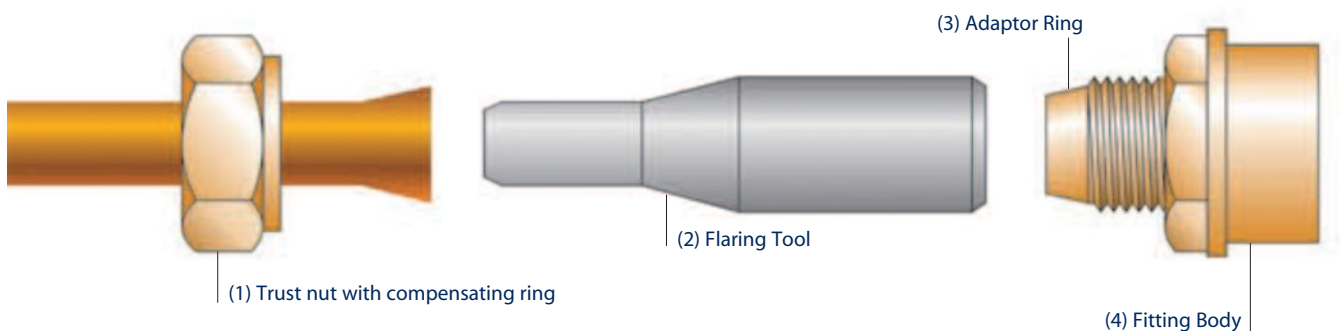
The robust and easy to use OK range of Type ‘B’ Fittings are suitable for use with half hard copper tube to BS 2871 Part 1 Table ‘Y’/ EN 1057 R 220-250.

The Specifications of Copper Pipes |

Tube Nominal Size	Outside Diameter (mm)		Nominal Wall	Thikness
	Max.	Min.	Thickness mm	Sheathing mm
15mm	15.045	14.965	1.0	1.0
22mm	22.055	21.975	1.2	1.0
28mm	28.055	27.975	1.2	1.0
42mm	42.07	41.99	1.5	1.6
54mm	54.07	53.99	2.0	1.6

| "OK" Gunmetal Compression Fittings and Valves Type 'B', for Copper Pipes Assembly Instructions |

- 1• Disassemble the end of the fitting to be connected, slide the integral compression nut and compensating ring (1) assembly over the pipe end. .
- 2• Using an appropriately sized flaring tool (2) bell out the end of the copper pipe by dealing a few blows with a hammer.
- 3• Insert the parallel end of the adaptor piece in the fitting socket and locate the flared tube end onto the tapered face of the adaptor piece.
- 4• Push the pipe over the adaptor to be between the 2 rings and Re assemble the fitting ensuring that the pipe sits snugly against the cone of the ring (3) on the fitting body (4). Tighten the compression nut fully to create an end load resistant and watertight connection.

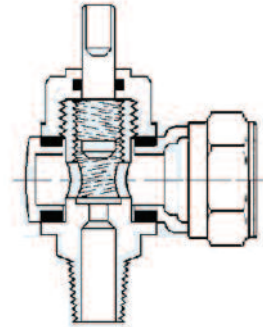


Type 'B' Compression Fittings or Manipulative Fittings require the installer to flare the copper tube end before the joint is assembled.

5 | "OK" GUNMETAL COMPRESSION FITTINGS AND VALVES - TYPE 'B'

| Gunmetal Screw Down Pattern, Swivel Balancing Ferrule, Compression Type 'B', for Copper Pipes |

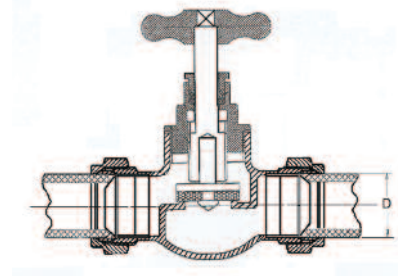
Size	
Inch	mm
1/2"	1/2"x15mm
3/4"	3/4"x22mm
1"	1"x28mm
1.1/2"	1.1/2"x42mm
2"	2"x54mm



4820-C

| Gunmetal Stop Valve, Compression Type 'B', Copper x Copper (C x C) |

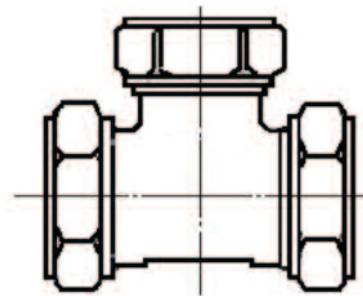
Size	
Inch	mm
1/2"	15mm x 15mm
3/4"	22mm x 22mm
1"	28mm x 28mm
1.1/2"	42mm x 42mm
2"	54mm x 54mm



6812-CB

| Gunmetal Equal Tee, Compression Type 'B', Copper x Copper x Copper (C x C x C) |

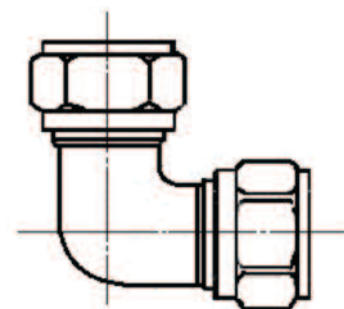
Size	
Inch	mm
1/2"	15mm x 15mm x 15mm
3/4"	22mm x 22mm x 22mm
1"	28mm x 28mm x 28mm
1.1/2"	42mm x 42mm x 42mm
2"	54mm x 54mm x 54mm



7000-CB

| Gunmetal 90° Elbow, Compression Type 'B', Copper x Copper (C x C) |

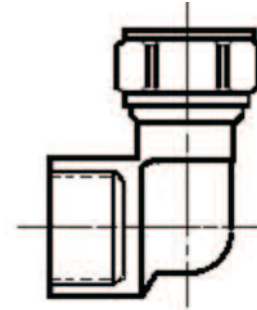
Size	
Inch	mm
1/2"	15mm x 15mm
3/4"	22mm x 22mm
1"	28mm x 28mm
1.1/2"	42mm x 42mm
2"	54mm x 54mm



7100-CB

Gunmetal 90° Female Elbow, Compression Type 'B', Female x Copper (F x C) |

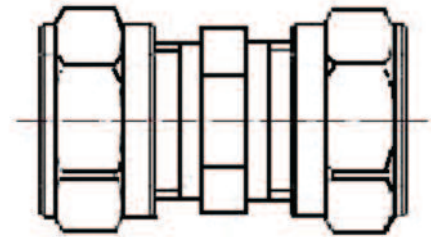
Size	
Inch	mm
1/2"	1/2"x15mm
3/4"	3/4"x22mm
1"	1"x28mm
1.1/2"	1.1/2"x42mm
2"	2"x54mm



7100-FCB

Gunmetal Straight Coupling, Compression Type 'B', Copper x Copper (C x C) |

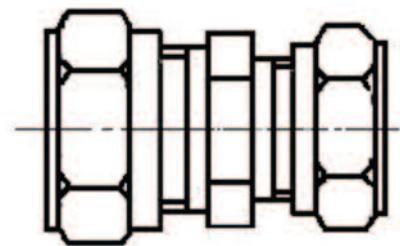
Size	
Inch	mm
1/2"	15mm x 15mm
3/4"	22mm x 22mm
1"	28mm x 28mm
1.1/2"	42mm x 42mm
2"	54mm x 54mm



7200-CB

Gunmetal Straight Reducer Coupling, Compression Type 'B', Copper x Copper (C x C) |

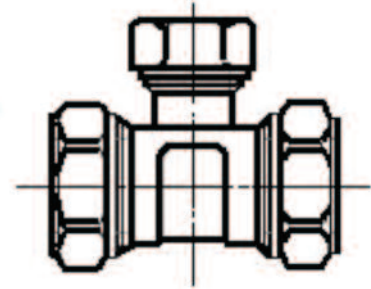
Size	
Inch	mm
3/4" x 1/2"	22mm x 15mm
1" x 1/2"	28mm x 15mm
1" x 3/4"	28mm x 22mm
1.1/2" x 3/4"	42mm x 22mm
1.1/2" x 1"	42mm x 28mm
2" x 1"	54mm x 28mm
2" x 1.1/2"	54mm x 42mm



7300-CB

| Gunmetal Unequal Tee, Compression Type 'B', Copper x Copper x Copper (C x C x C) |

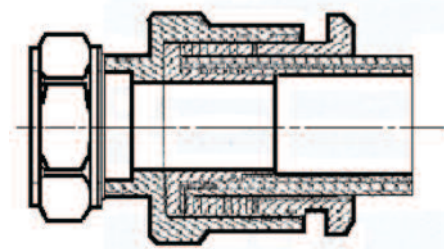
Size	
Inch	mm
3/4" x 1/2"	22mm x 22mm x 15mm
1/2" x 3/4"	15mm x 15mm x 22mm
1" x 1/2"	28mm x 28mm x 15mm
1" x 3/4"	28mm x 28mm x 22mm
1.1/2" x 1/2"	42mm x 42mm x 15mm
1.1/2" x 3/4"	42mm x 42mm x 22mm
1.1/2" x 1"	42mm x 42mm x 28mm
2" x 3/4"	54mm x 54mm x 22mm
2" x 1"	54mm x 54mm x 28mm
2" x 1.1/2"	54mm x 54mm x 42mm



7400-CB

| Gunmetal Universal Transition Coupling (UTC) Type 'B', PE x Copper , (PE x C) to connect PE Pipes with Copper Pipes |

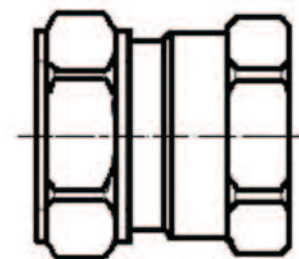
Size	
Inch	mm
1/2"	20mm x 15mm
3/4"	25mm x 22mm
1"	32mm x 28mm
1.1/2"	50mm x 42mm
2"	63mm x 54mm



7500

| Gunmetal Female Coupling, Compression Type 'B', Female x Copper (FI x C) |

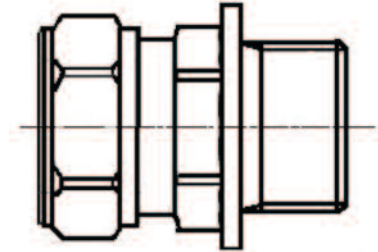
Size	
Inch	mm
1/2"	1/2" x 15mm
3/4"	3/4" x 22mm
1"	1" x 28mm
1.1/2"	1.1/2" x 42mm
2"	2" x 54mm



7550-F

| Gunmetal Male Coupling, Compression Type 'B', Male x Copper (MI x C) |

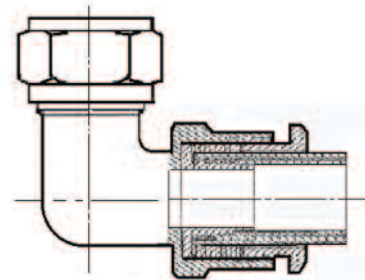
Size	
Inch	mm
1/2"	1/2"x15mm
3/4"	3/4"x22mm
1"	1"x28mm
1.1/2"	1.1/2"x42mm
2"	2"x54mm



7550-M

| Gunmetal Transition 90° Elbow Compression Type 'B', PE x Copper, (PE x C) to connect PE Pipes with Copper Pipes |

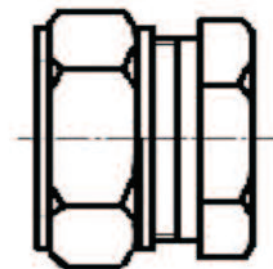
Size	
Inch	mm
1/2"	20mm x 15mm
3/4"	25mm x 22mm
1"	32mm x 28mm
1.1/2"	50mm x 42mm
2"	63mm x 54mm



7600

| Gunmetal End Cap, Compression Type 'B', Copper (C) |

Size	
Inch	mm
1/2"	15mm
3/4"	22mm
1"	28mm
1.1/2"	42mm
2"	54mm



7950-CB



6• Products Reference



Description

Gunmetal Standard Pattern Swivel Balancing Ferrule

Pushfit Type

Material

Fully Gunmetal Bronze to BS 1400 Grade LG2 (BS EN 1982 Grade CC491K)

Sizes & Dimensions

1/2" BSPT x 20mm outlet	1.1/4" BSPT x 40mm outlet
3/4" BSPT x 25mm outlet	1.1/2" x 50mm outlet
1" BSPT x 32mm outlet	2" x 63mm outlet



4820 AS

Description

Gunmetal Screwdown Pattern Swivel Balancing Ferrule

Pushfit Type

Material

Fully Gunmetal Bronze to BS 1400 Grade LG2 (BS EN 1982 Grade CC491K)

Sizes & Dimensions

1/2" BSPT x 20mm outlet	1.1/2" x 50mm outlet
3/4" BSPT x 25mm outlet	2" x 63mm outlet
1" BSPT x 32mm outlet	1" BSPT x 1" outlet
1.1/4" BSPT x 40mm outlet	



4820 A

Description

Gunmetal Screwdown Pattern Swivel Balancing Ferrule

Compression Type

Material

Fully Gunmetal Bronze to BS 1400 Grade LG2 (BS EN 1982 Grade CC491K)

Sizes & Dimensions

1/2" BSPT x 20mm outlet	1.1/4" BSPT x 40mm outlet
3/4" BSPT x 25mm outlet	1.1/2" x 50mm outlet
1" BSPT x 32mm outlet	2" x 63mm outlet



4820 B

Description

Gunmetal Saddles to suit AC Pipes

available untapped and can be supplied drilled and tapped according to the Client's requirements from 1/2" up to 2"

Material

Gunmetal Bronze to BS 1400 Grade LG2 (BS EN 1982 grade CC491K),
Bolts & Nuts Stainless Steel Grade A4 (AISI 316)

Sizes & Dimensions

DN of AC pipe (in mm):
75, 80, 100, 125, 150, 200, 225, 250, 300, 350, 400, 450, 500



4861

Description

Gunmetal Saddles to suit DI, PE & GRE Pipes

available untapped and can be supplied drilled and tapped according to the Client's requirements from 1/2" up to 2"

Material

Gunmetal Bronze to BS 1400 Grade LG2 (BS EN 1982 Grade CC491K), Bolts & Nuts Stainless Steel Grade A4 (AISI 316)

Sizes & Dimensions

DN of DI, PE & GRE pipe (in mm):
75, 80, 100, 125, 150, 200, 250, 300, 350, 400, 450, 500



4822

Description

Gunmetal Stopcock with Crutch Head

according to BS 1010, Female Threaded (BSP to BS 21)

Material

Gunmetal Bronze to BS 1400 Grade LG2 (BS EN 1982 Grade CC491K), Crutch & Stem in Brass

Sizes & Dimensions

1/2"	1.1/4"
3/4"	1.1/2"
1"	2"



2089

Description

Gunmetal Lockable Stopcock

with Key according to BS 1010, Female Threaded (BSP to BS 21)

Material

Fully Gunmetal Bronze to BS 1400 Grade LG2 (BS EN 1982 Grade CC491K)

Sizes & Dimensions

1/2"	1.1/4"
3/4"	1.1/2"
1"	2"



4776

Description

Gunmetal Stopcock with Square Head

Double Compression Ends for connecting PE Pipes, Compression Type

Material

Fully Gunmetal Bronze to BS 1400 Grade LG2 (BS EN 1982 Grade CC491K)

Sizes & Dimensions

20mm	40mm
25mm	50mm
32mm	63mm



6812 C2

Description

Gunmetal Stopcock for Connecting G.I. with P.E. Pipes

Pushfit or Compression Type (Supplied with Square or Crutch head)

Material

Fully Gunmetal Bronze to BS 1400 Grade LG2 (BS EN 1982 Grade CC491K)

Sizes & Dimensions

1.2" x 20mm	1.1/2" x 50mm
3/4" x 25mm	2" x 63mm
1" x 32mm	


6812 A

Description

Gunmetal Stopcock for Connecting P.E. with P.E. Pipes

Pushfit Type (Supplied with Square or Crutch head)

Material

Fully Gunmetal Bronze to BS 1400 Grade LG2 (BS EN 1982 Grade CC491K)

Sizes & Dimensions

20mm	40mm
25mm	50mm
32mm	63mm


6812 B

Description

Gunmetal Stopcock with Crutch Head

Double Compression Ends for connecting PE Pipes,
Compression Type

Material

Fully Gunmetal Bronze to BS 1400 Grade LG2 (BS EN 1982 Grade CC491K)

Sizes & Dimensions

20mm	40mm
25mm	50mm
32mm	63mm


6812 C

Description

Gunmetal Self Tapping Ferrule Strap

Pushfit Type

Material

Gunmetal Bronze to BS 1400 Grade LG2 (BS EN 1982 Grade CC491K),

Sizes & Dimensions

63 x 25mm, 63 x 32mm
90 x 25mm, 90 x 32mm
110 x 25mm, 110 x 32mm, 110 x 50mm
160 x 25mm, 160 x 32mm, 160 x 50mm
225 x 25mm, 225 x 32mm, 225 x 50mm


4819 A

Description

Gunmetal Self Tapping Ferrule Strap
Pushfit Type

Material

Gunmetal Bronze to BS 1400 Grade LG2 (BS EN 1982 Grade CC491K),
The Self Drilling Cutter is of Aluminum Bronze

Sizes & Dimensions

63 x 20mm, 63 x 25mm, 63 x 32mm
110 x 20mm, 110 x 25mm, 110 x 32mm, 110 x 50mm, 110 x 63mm
125 x 20mm, 125 x 25mm, 125 x 32mm, 125 x 50mm, 125 x 63mm



4819 D

Description

Forged Brass Gate Valve
with Female Threaded Ends, (BSP to BS 21)

Material

Brass to BS 5154:1991 (BS 2874)

Sizes & Dimensions

1/2"	1.1/4"
3/4"	1.1/2"
1"	2"



R 47

Description

Forged Lockable Brass Gate Valve
with Female Threaded Ends (BSP to BS 21)

Material

Brass to BS 5154:1991 (BS 2874)

Sizes & Dimensions

1/2"	1.1/4"
3/4"	1.1/2"
1"	2"



R 47 B

Description

Gunmetal Gate Valve
To BS 5154 with Female Threaded Ends, (BSP to BS 21)

Material

Gunmetal Bronze to BS 1400 Grade LG2 (BS EN 1982 Grade CC491K)

Sizes & Dimensions

1/2"	1.1/4"
3/4"	1.1/2"
1"	2"



R 48

Description
Gunmetal Male Adaptor

Pushfit Type

Material

Fully Gunmetal Bronze to BS 1400 Grade LG2 (BS EN 1982 Grade CC491K)

Sizes & Dimensions

1/2" BSPT x 20mm	1.1/2" BSPT x 50mm
3/4" BSPT x 25mm	2" BSPT x 63mm
1" BSPT x 32mm	1/2" BSPT x 32mm
1.1/4" BSPT x 40mm	


4821 A
Description
Gunmetal Female Adaptor

Compression Type

Material

Fully Gunmetal Bronze to BS 1400 Grade LG2 (BS EN 1982 Grade CC491K)

Sizes & Dimensions

1/2" x 20mm	1.1/4" x 40mm
3/4" x 25mm	1.1/2" x 50mm
1" x 32mm	2" x 63mm


4500-1
Description
Gunmetal Male Adaptor

Compression Type

Material

Fully Gunmetal Bronze to BS 1400 Grade LG2 (BS EN 1982 Grade CC491K)

Sizes & Dimensions

1/2" BSPT x 20mm	1.1/4" BSPT x 40mm
3/4" BSPT x 25mm	1.1/2" BSPT x 50mm
1" BSPT x 32mm	2" BSPT x 63mm


4500-2
Description
Elbow, Gunmetal Meter Union

Pushfit Type

Material

Fully Gunmetal Bronze to BS 1400 Grade LG2 (BS EN 1982 Grade CC491K)

Sizes & Dimensions

3/4" x 20mm


6910

Description

Gunmetal Coupler Straight

Pushfit Type

Material

Fully Gunmetal Bronze to BS 1400 Grade LG2 (BS EN 1982 Grade CC491K)

Sizes & Dimensions

3/4" x 20mm



6911

Description

Gunmetal Fittings

such as Equal Tees, Reducer Tees, Reducers, Elbows and others, Compression or Pushfit Type

Material

Fully Gunmetal Bronze to BS 1400 Grade LG2 (BS EN 1982 Grade CC491K)

Sizes & Dimensions

From 1/2" up to 2"



series

7000

Description

Bi Metallic Flange

consisting

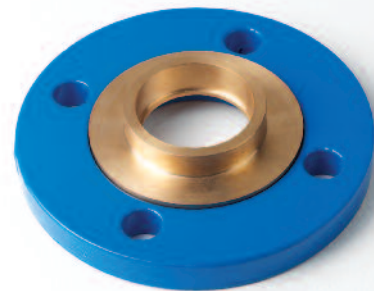
Material

Consisting of 2 pieces:

- Cast Iron Flange to BS 4622, Drilled according to BS 4504 with Electrostatically Fusion Bonded Polyester Coating
- Gunmetal to BS 1400 LG2 Insert

Sizes & Dimensions

2" x 54mm



6990

Description

Copper Alloy Gauge

Material

Gunmetal Bronze to BS 1400 Grade LG2 (BS EN 1982 Grade CC491K) & Brass to BS 5154:1991 (BS 2874)

Sizes & Dimensions

1/2"



R 35

7• Certificates







THE INTERNATIONAL CERTIFICATION NETWORK

CERTIFICATE

IQNet and
DQS GmbH Deutsche Gesellschaft zur Zertifizierung von Managementsystemen
hereby certify that the company

Fonderies Ohannes H. Kassardjian s.a.l.
(OK Foundries s.a.l.)

OK Foundries-Kfarchima
Beirut, Lebanon

has implemented and maintains a **Quality Management System**.

Scope:

Design, development, manufacturing and assembly of cast iron,
brass, gunmetal and aluminum castings and products

Through an audit, documented in a report, it was verified that the management system
fulfills the requirements of the following standard:

ISO 9001 : 2015

Valid from	2016-02-10
Valid until	2019-02-09
Date of certification	2016-02-10

Registration number: DE-290520 QM15



Michael Drechsel
President of IQNet

Götz Blechschmidt
Managing Director of DQS GmbH



IQNet Partners*:

AENOR Spain AFNOR Certification France AIB-Vincotte International Belgium APCER Portugal CCC Cyprus
CISQ Italy CQC China CQM China CQS Czech Republic Cro Cert Croatia DQS Holding GmbH Germany
FCAV Brazil FONDONORMA Venezuela ICONTEC Colombia IMNC Mexico Inspecta Certification Finland INTECO Costa Rica
IRAM Argentina JQA Japan KFQ Korea MIRTEC Greece MSZT Hungary Nemko AS Norway NSAI Ireland PCBC Poland
Quality Austria Austria RR Russia SIGE Mexico SII Israel SIQ Slovenia SIRIM QAS International Malaysia
SQS Switzerland SRAC Romania TEST St Petersburg Russia TSE Turkey YUQS Serbia
IQNet is represented in the USA by: AFNOR Certification, CISQ, DQS Holding GmbH and NSAI Inc.

* The list of IQNet partners is valid at the time of issue of this certificate. Updated information is available under www.iqnet-certification.com





CERTIFICATE



This is to certify that

Fonderies Ohannes H. Kassardjian s.a.l. (OK Foundries s.a.l.)

OK Foundries-Kfarchima
Beirut, Lebanon

has implemented and maintains a **Quality Management System**.

Scope:

Design, development, manufacturing and assembly of cast iron,
brass, gunmetal and aluminum castings and products

Through an audit, documented in a report, it was verified that the management system fulfills the requirements of the following standard:

ISO 9001 : 2015

Certificate registration no.	290520 QM15
Valid from	2016-02-10
Valid until	2019-02-09
Date of certification	2016-02-10



DQS GmbH

G. Blechschmidt

Götz Blechschmidt
Managing Director



Accredited Body: DQS GmbH, August-Schanz-Straße 21, 60433 Frankfurt am Main



FONDERIES OHANNES KASSARDJIAN S.A.L.

Leading Foundries in the Middle East
Since 1939

FONDERIES OHANNES KASSARDJIAN S.A.L.

C.R: 18269

Road of Wadi Chahrour • Hadath / Kfarshima • P.O.Box: 11-4150 Beirut, Lebanon
Tel: 961 5 462462, 462244, 462846 • Fax: 961 5 464645, 462948 • E-mail: okfond@okfond.com